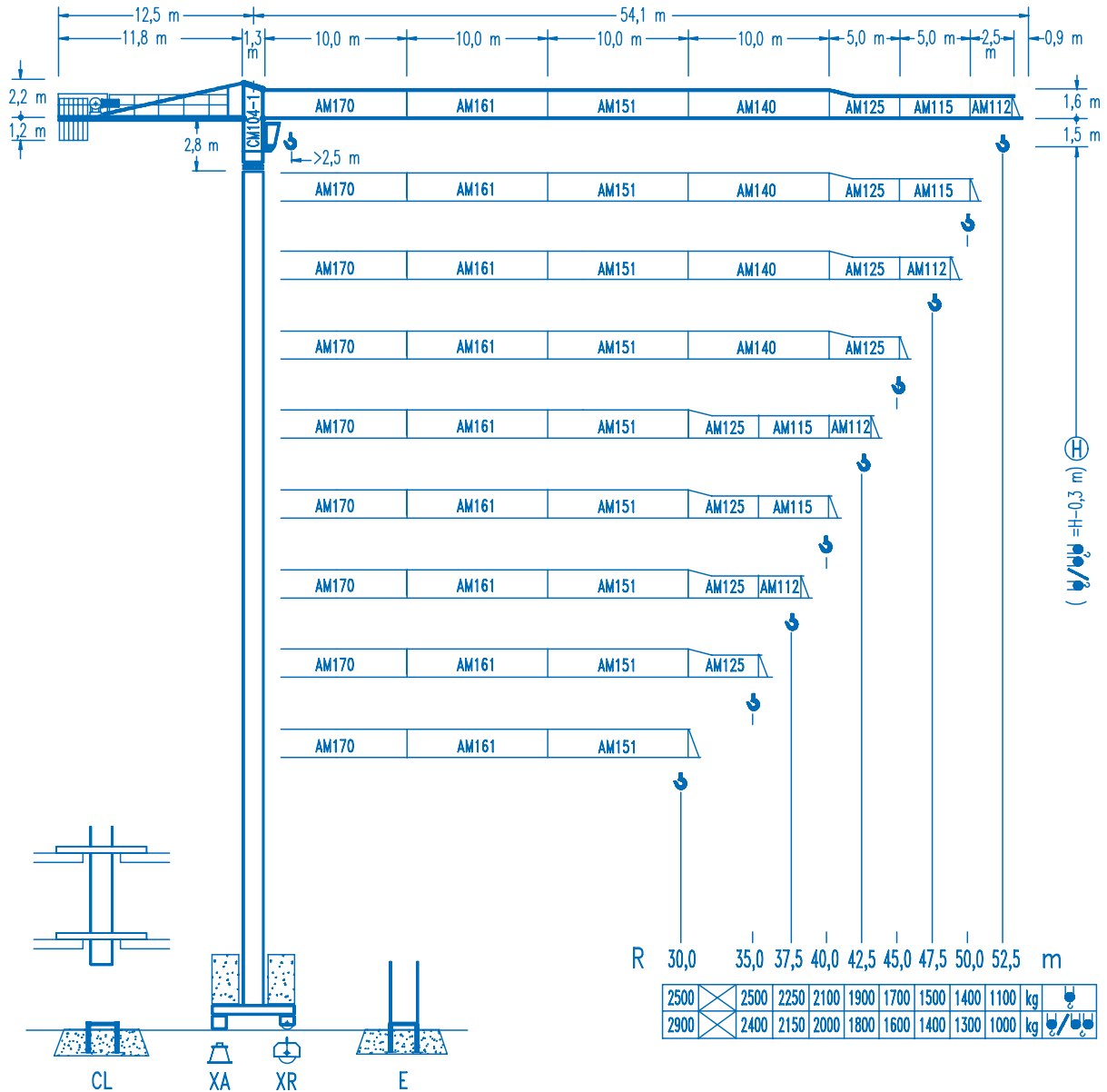




COMANSA

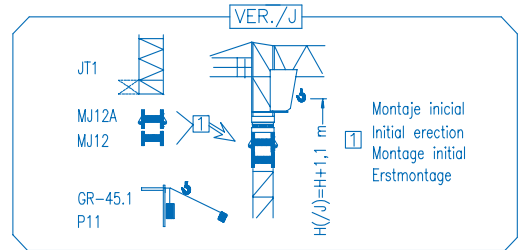
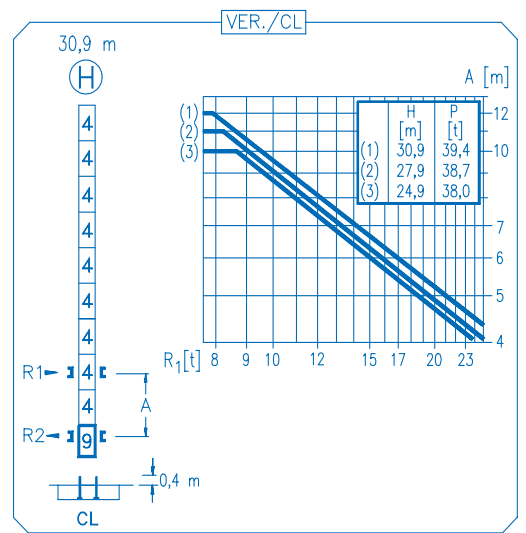
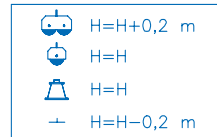
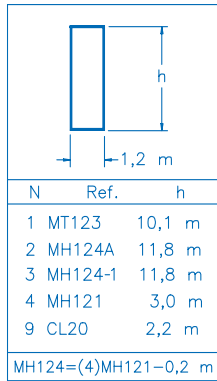
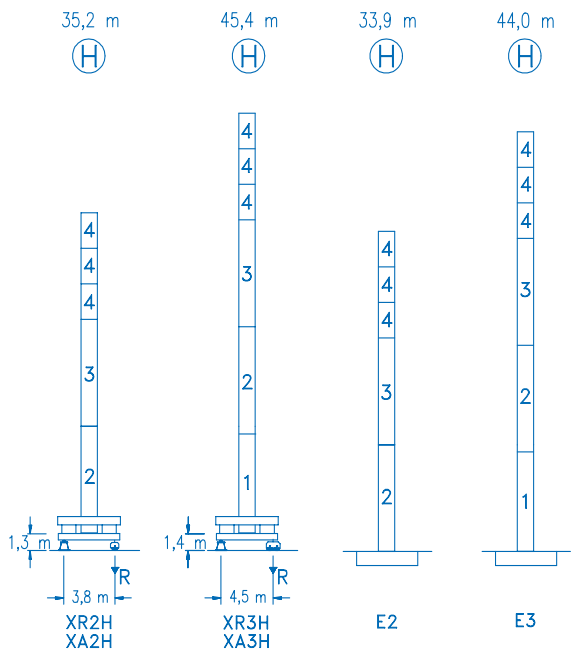
LC-5211

5 t



CE
DIN 15018 H1 B3

R	R(Cmax)	Cmax	20,0	25,0	30,0	35,0	37,5	40,0	42,5	45,0	47,5	50,0	52,5	
52,5		2500	2500	2500	2190	1820	1680	1550	1440	1340	1250	1170	1100	
		5000	3380	2600	2080	1720	1580	1450	1340	1240	1150	1070	1000	
50,0		2500	2500	2500	2500	2150	1980	1840	1710	1590	1490	1400		
		5000	3960	3060	2470	2050	1880	1740	1610	1490	1390	1300		
47,5		2500	2500	2500	2500	2160	1990	1850	1720	1600	1500			
		5000	3980	3080	2480	2060	1890	1750	1620	1500	1400			
45,0		2500	2500	2500	2500	2290	2110	1960	1820	1700				
		5000	4200	3250	2630	2190	2010	1860	1720	1600				
42,5		2500	2500	2500	2500	2380	2200	2040	1900					
		5000	4380	3390	2740	2280	2100	1940	1800					
40,0		2500	2500	2500	2500	2450	2260	2100						
		5000	4500	3490	2820	2350	2160	2000						
37,5		2500	2500	2500	2500	2440	2250							
		5000	4470	3470	2800	2340	2150							
35,0		2500	2500	2500	2500	2500								
		5000	4580	3560	2880	2400								
30,0		2500	2500	2500	2500	2500								
		5000	4610	3580	2900									



R. máx.	En servicio In operation En service In Betrieb	XR2H 46,0 t
		XR3H 49,0 t

R. máx.	Fuera de servicio Out of service Hors service Ausser Betrieb	XR2H 50,9 t
		XR3H 72,4 t

CS2-1.9

1,9 kW

16 m/min
48 m/min

CFU-2.2

2,2 kW

0 ⇄ 80 m/min

GR-9.0

90 Nm

0 ⇄ 0,7 rpm

TS2-4.5	TS2-5.5
2x45 Nm	2x55 Nm
0 ⇄ 20 m/min	
XR2H	XR3H

ES3-18-12

18 kW

	I	II	III
	m/min 8	32	64
	kg 2500	2500	1300
	m/min 4	16	32
	kg 5000	5000	2600

EFU2-18-12

18 kW

Tensión de alimentación Operating voltage Tension de service Betriebsspannung	400 V 3 ph 50 Hz
----------------------------------------------------------------------------------------	---------------------------------------------

Opcional Optional En option Kaufoption	*
-------------------------------------------------	----------



Tel.: (34) 948 335 020
Fax: (34) 948 330 810
e-mail: info@comansa.com
www.comansa.com

Polígono Urbizkain
E-31620 HUARTE-PAMPLONA.- SPAIN

DS.0541.01	10/05	LC-5211 5 t
-------------------	-------	--------------------